

ABOVE GROUND POOLS



- 400 • Above ground pool ladders
- 403 • Monoblocs with d.e. and cartridge filters
- 405 • Skimfilters
- 406 • Skimmers
- 407 • Underwater lights
- 407 • Garden showers

ABOVE GROUND POOL LADDERS

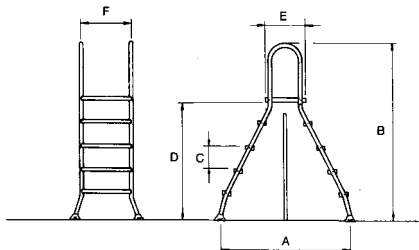
Above ground pool Stainless Steel ladder + platform



Handrails \varnothing 43 in polished AISI-304 Stainless Steel with platform and steps in plastic steps.

- Pool height 1 m**
2 x 3 steps + 1 platform
- Pool height 1.20 m**
2 x 4 steps + 1 platform
- Pool height 1.50 m**
2 x 5 steps + 1 platform

Code	Standard Packing	Standard Weight	Standard Volume m ³
05520	1	18.2	0.07
05521	1	21.4	0.09
05522	1	24.5	0.11



Code	A	B	C	D	E	F
05520	1150	1680	240	1030	375	500
05521	1360	1920	240	1270	375	500
05522	1625	2250	240	1600	375	500

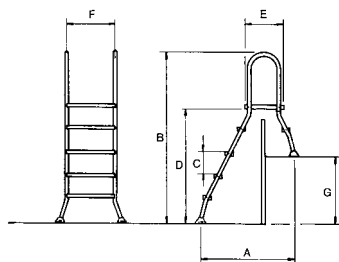
Partially in-ground S.S. ladder + platform



Handrails \varnothing 43 in polished AISI-304 Stainless Steel with platform and steps in plastic steps.

- Pool height 1 m**
1 x 3 steps + 1 step + 1 platform
- Pool height 1.20 m**
1 x 4 steps + 1 step + 1 platform
- Pool height 1.50 m**
1 x 5 steps + 1 step + 1 platform

Code	Standard Packing	Standard Weight	Standard Volume m ³
05523	1	18.0	0.07
05524	1	18.2	0.09
05525	1	19.2	0.11



Code	A	B	C	D	E	F	G
05523	920	1680	240	1030	375	500	480
05524	1025	1920	240	1270	375	500	720
05525	1130	2250	240	1600	375	500	960

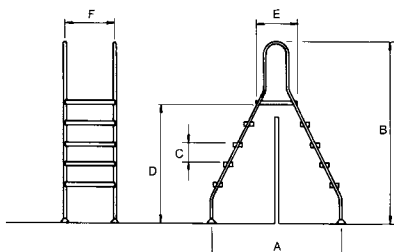
Above ground aluminium ladder + platform



Handrails \varnothing 28 mm in white painted aluminium with platform and steps in plastic steps.

- Pool height 1 m**
2 x 3 steps + 1 platform
- Pool height 1.20 m**
2 x 4 steps + 1 platform
- Pool height 1.50 m**
2 x 5 steps + 1 platform

Code	Standard Packing	Standard Weight	Standard Volume m ³
00031	1	10.9	0.067
00032	1	12.7	0.076
00033	1	14.5	0.100



Code	A	B	C	D	E	F
00031	1120	1680	240	1050	375	500
00032	1330	1920	240	1290	375	500
00033	1540	2160	240	1530	375	500

ABOVE GROUND POOL LADDERS

ECO open ladder

Galvanized railing painted in white epoxy Ø 25 mm.

	Code	Standard Packing	Standard Weight	Standard Volume m ³
Pool height 1.20 m 2 x 4 steps	05527	1	10.6	0.045



05527

Range of ladders for above ground pools

The new range of ladders for above ground pools (27286, 27287, 27288, 27289) has been designed giving them a new, ergonomic and attractive design and following the AFNOR NF P 90-302 standard. This item replaces the previous ladder range offered so far for above ground pools (09914, 19915, 09919). The plastic steps have an ergonomic design and are treated against UV rays. The steps also have in-built bushings, not visible externally. The pipe used is of 25 mm galvanized steel and is painted in white. In ladders having platforms, this has a large surface area, and for ladders with a security system, the front base is designed in plastic for easy assembly and use.

	Code	Standard Packing	Standard Weight	Standard Volume m ³
2 x 3 steps. Pool height 0.90 m	27286	1	8.20	0.028
2 x 4 steps. Pool height 1.20 m	27287	1	10.06	0.036
2 x 3 with platform. Pool height 0.90 m	27288	1	10.89	0.047
2 x 4 with platform. Pool height 1.20 m	27289	1	12.54	0.056
2 x 4 with platform and security system. Pool height 1.20 m	27290	1	15.61	0.056



27286



27287



27289



27290



27288

SAND FILTER MONOBLOCS

Compact monobloc Ø 300 mm



Fully fitted with a 1/4 HP pump and G.S.certified. Flow rate 3.5 m³/h. Includes 4 way multiport valve and connection accessories (Ø 38 mm).

Code	Standard Packing	Standard Weight	Standard Volume m ³
09688	1	17	0.12

Compact monobloc Ø 380 mm



Fully fitted with a 1/3 HP Sena pump. Flow rate 5.5 m³/h. Includes 6 way multiport valve (1 1/2") and connection accessories (Ø 38 mm). 50 kg of Silex.

Code	Standard Packing	Standard Weight	Standard Volume m ³
25449	1	17	0.12

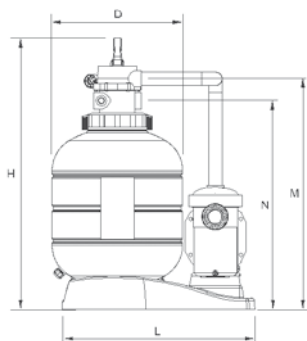
Millennium monoblocs



Top mounted valve with Sena pump. Includes 6 way multiport valve, pressure gauge, air relief and water purge valves. Threaded filter cover.

- Ø 380 mm
- Ø 430 mm
- Ø 480 mm
- Ø 560 mm

Code	Standard Packing	Standard Weight	Standard Volume m ³
27805	1	26.0	0.33
23342	1	12.5	0.27
23343	1	14.5	0.36
23344	1	17.5	0.45



Code	27805	23342	23343	23344
D	380	430	480	560
H	905	955	975	1055
M	735	815	835	915
N	670	735	755	815
L	710	715	835	835
Connections	1 1/2"	1 1/2"	1 1/2"	1 1/2"
Flow rate m ³ /h	5.5	7	9	12
Filtration surface m ²	0.113	0.145	0.18	0.246
Sand kg	40	60	85	135
Max. working pressure kg/cm ²	2.5	2.5	2.5	2.5
Sena pump	1/3 HP	1/3 HP	1/2 HP	3/4 HP

MONOBLOCS WITH D.E. AND CARTRIDGE FILTERS
Cel monoblocs with diatomaceous earth filters

Consists of one Cel model diatomaceous earth filter, Astramax pump and a polypropylene base. To see the amount of diatomaceous earth, needed please see Cel series filter.

	Code	Standard Packing	Standard Weight	Standard Volume m ³
Cel 30. Flow rate 6.8 m ³ /h	18557	1	-	-
Cel 40. Flow rate 9 m ³ /h	18558	1	-	-
Cel 50. Flow rate 11.4 m ³ /h	18559	1	-	-
Cel 70. Flow rate 15.9 m ³ /h	18560	1	-	-


Cartridge

	Code	Standard Packing	Standard Weight	Standard Volume m ³
For Cel 30 filter	19789	1	2.5	0.016
For Cel 40 filter	19790	1	3.4	0.024
For Cel 50 filter	19791	1	4.2	0.031
For Cel 70 filter	19792	1	4.9	0.039


Terra monobloc with cartridge filter

Made of PP and fibreglass. Fitted with a pressure gauge and an air relief valve. High filtration capacity and easy maintenance. 2" outlet (supplied with a reduction to 1½"). Filtration velocity of 1.8 m³/h x m². Maximum working pressure: 2.5 kg/cm².

	Code	Standard Packing	Standard Weight	Standard Volume m ³
Terra 50. Flow rate 8.4 m ³ /h	18549	1	18.3	0.22
Terra 75. Flow rate 12.5 m ³ /h	18550	1	19.4	0.22
Terra 100. Flow rate 16.5 m ³ /h	18551	1	20.5	0.25
Terra 150. Flow rate 25 m ³ /h	18552	1	-	-


Cartridge

	Code	Standard Packing	Standard Weight	Standard Volume m ³
For Terra 50 filter	19785	1	1.7	0.016
For Terra 75 filter	19786	1	2.0	0.024
For Terra 100 filter	19787	1	2.5	0.031
For Terra 150 filter	19788	1	3.1	0.03



CARTRIDGE FILTERS

Cylindrical cartridge filter



Made of unalterable plastics, transparent polycarbonate lid. One polyester fabric filtration cartridge. Connections 1½". Filtration surface 4.6 m². Flow rate 10 m³/h.

	Code	Standard Packing	Standard Weight	Standard Volume m³
Spare cartridge	00648	1	4.03	0.031
	00652	1	0.66	0.008

Cylindrical double cartridge filter



Made of unalterable plastics, transparent polycarbonate lid. One polyester fabric filtration cartridge. Connections 1½". Filtration surface 4.6 m². Flow rate 10 m³/h.

	Code	Standard Packing	Standard Weight	Standard Volume m³
Spare cartridge	00649	1	5.54	0.048
	04720	1	1.16	0.005

2000 litre compact cartridge filter



Extended range of cartridge filters with 2000 model for above ground pools. The filter housing is made of Polypropylene. The upper lid is sealed by bayonet. The cartridge used is made of cellulose for easy cleaning, with a flow of 2000 litres per hour. It is compact, with a suction inlet of Ø 32 mm and a pool return of Ø 25 mm.

	Code	Standard Packing	Standard Weight	Standard Volume m³
	19932	1	-	0.048

Cylindrical cartridge filter with in-built pump



Flow rate 5 m³/h at 4.5 m head 220 V. Made of unalterable plastics with transparent Polycarbonate lid. Cartridge in Polyester fabric. With inlet and outlet hoses. Filtration surface 2.3 m².

	Code	Standard Packing	Standard Weight	Standard Volume m³
Spare cartridge	00650	1	12.48	0.090
	00652	1	0.66	0.008



On request, these cartridge filters can be assembled as compact monobloc units on a single base or trolley.

SKIMFILTERS

Internal skimfilter for self-supporting pools

Ø 160 mm. Motor 12 V (50 Hz). Transformer 230-12V-50 Hz. GS certified. Includes cartridge. With a white PP hook for hanging on the above ground pool. Spare cartridge: 09037R0200/1.

	Code	Standard Packing	Standard Weight	Standard Volume m ³
Skimfilter, flow rate 4 m ³ /h	30943	1	5.12	0.025
Skimfilter, flow rate 2 m ³ /h	27587	1	4.74	0.025



Internal skimfilter for panel pools

Ø 160 mm. Motor 12 V (50 Hz). Transformer 230-12V-50 Hz. GS certified. Includes cartridge and a plastic hook for metallic panel pools. Spare cartridge: 09037R0200/1.

	Code	Standard Packing	Standard Weight	Standard Volume m ³
Skimfilter, flow rate 4 m ³ /h	30899	1	5.12	0.025
Skimfilter, flow rate 2 m ³ /h	27586	1	4.50	0.025



Skimfilter pack

Flow rate 3.8 m³/h. Mini-skimmer mouth, 2" inlet connection. Motor 12 V (50 Hz). Transformer 230-12V 50Hz. CE-GS certified. Includes cartridge. For fixing to pool outer wall. Spare cartridge: 09037R0200/1.

	Code	Standard Packing	Standard Weight	Standard Volume m ³
	30889	1	6.45	0.038



SKIMMERS



Floating skimmer

Ø 160 mm. Maximum flow rate 5 m³/h. Outer connections Ø 32 mm and Ø 38 mm. With narrow plastic hook designed for panel pools.

Code	Standard Packing	Standard Weight	Standard Volume m ³
16573	1	1.3	0.024



Mini-skimmer with inlet

Skimmer connections Ø 32 mm and Ø 38 mm.

Code	Standard Packing	Standard Weight	Standard Volume m ³
20889	1	2.2	0.019



Mini-skimmer with wide mouth with inlet for panel pools

Skimmer connections Ø 32 mm and Ø 38 mm.

Code	Standard Packing	Standard Weight	Standard Volume m ³
33350	1	3.5	0.03

UNDERWATER LIGHTS
Underwater light with bracket for hanging in above ground pools

230 V connection, transformer 230/12V, 75 W 12V lamp. Protection class III IP-68.

	Code	Standard Packing	Standard Weight	Standard Volume m ³
For pannel pool:				
Square	21397	1	3.4	0.009
Round	21579	1	3.4	0.009
For above ground pool:				
Square	38930	1	3.4	0.009
Round	38931	1	3.4	0.009


GARDEN SHOWERS
Garden shower

Adjustable to 2 heights (1.50 and 2.25 m). Quick connection to garden hose 13, 15 or 19 mm.

Code	Standard Packing	Standard Weight	Standard Volume m ³
18142	1	1.2	0.007


LINER REPAIRING KIT
Liner repairing kit

1 tube of 20 ml adhesive for liner and 2 liner strips. (PVC) transparent.

Code	Standard Packing	Standard Weight	Standard Volume m ³
24624	50	0.07	0.02



